

# AREA-TAG

## SiteWorx Area — Asset Tracking Tags

AREA-TAG is a small, wireless, versatile Bluetooth beacon for Asset Tracking used in combination with SiteWorx Area. Three distinct designs enable you to find, track, and count assets, products, and people.



### Key Features & Benefits

- Enables SiteWorx® Area application find, track, and count capability
- AREA-TAG is easy to install and use. AREA-TAG will self-discover — just attach and start tracking
- User-defined Area Tag names for easy identification in SiteWorx Area
- Battery-powered with an average life of up to 5-years
- Incorporates Lightelligence®, the Digital Lumens core technology that ensures openness, connectivity, scalability, and security

Date: \_\_\_\_\_

Quantity: \_\_\_\_\_

Company: \_\_\_\_\_

Project: \_\_\_\_\_



#### Standard Tag

With a slim profile and IP-54 rating, the Standard Tag is **the best choice for tracking goods**. May be attached to many different surfaces with either temporary or permanent adhesives. Also included is a single attachment point for more permanent mounting or for a user-provided mechanical clip mount.



#### Rugged Tag

With a rugged casing and long battery life the Rugged Tag is **perfect for asset tracking in rough environments**. Resistant to extremes in temperature  $-4^{\circ}\text{F} / +140^{\circ}\text{F}$  ( $-20^{\circ}\text{C} / +60^{\circ}\text{C}$ ), and with an IP65 rating it can withstand harsh environments and handle indoor and outdoor conditions.

Perfect for large equipment and vehicles, the Rugged Tag can be easily attached and detached from objects or surfaces thanks to its built-in mounting brackets.



#### Badge Tag

An IP65-compliant tag for people. Slip a lanyard through the hole and use Badge Tag as a smart-badge. Give the badge to your **employees, staff members, or visitors to track their location and movement** in real-time or over a period of time.

Whether you want to reduce time spent searching for staff members or want to understand the movement of workers to improve performance, Badge Tag is your go-to tag. It enables you to locate anyone in real time and to analyze their movements over time.

## Specifications

### SENSING AND CONTROL

#### Connectivity

- Technology: Bluetooth® Low-Energy
- Beacon Format: Eddystone

#### Connected IoT Platform

- SiteWorx Area

### ENVIRONMENTAL

#### Operating Temperature

- -20° to 60°C (-4° to 140°F)

#### Operating Humidity

- 0% to 95% non-condensing, for indoor use only

### PHYSICAL

#### Battery Type

- Badge Tag: Non-replaceable
- Standard Tag: 2x CR 2477
- Rugged Tag: 2x CR 2477

#### Dimensions (H x W x D)

- Badge Tag: 86 x 55 x 4.5 mm (3.4 x 2.2 x 0.2 inches)
- Standard Tag: 56 x 55 x 15 mm (2.2 x 2.2 x 0.6 inches)
- Rugged Tag: 94 x 58 x 35 mm (3.7 x 2.3 x 1.4 inches)

#### Weight

- Badge Tag: 20 g (0.7 oz)
- Standard Tag: 35 g (1.2 oz)
- Rugged Tag: 101 g (3.6 oz)

### WARRANTY

- 1-Year Limited

### CERTIFICATIONS & SAFETY

#### Approbations

- CE, FCC, RoHS

#### Environmental Suitability

- Badge Tag: IP65
- Standard Tag: IP54
- Rugged Tag: IP65



**lightelligence**  
ready

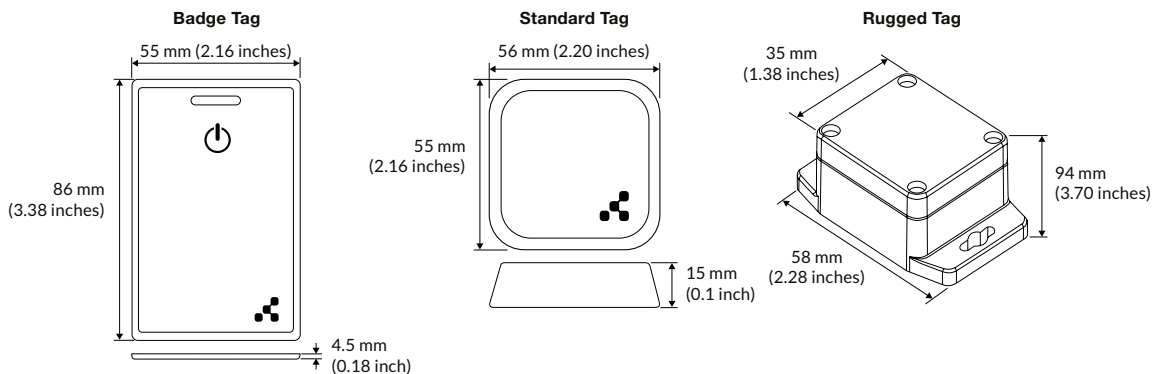
## Ordering Information

100 Bluetooth Tags (single type or combination) are included with the basic SiteWorx Area Subscription\*.

Part Number	Description	Quantity
AREA-TAG-B	Badge Tag for Asset Tracking	25
AREA-TAG-S	Standard Tag for Asset Tracking	25
AREA-TAG-R	Rugged Tag for Asset Tracking	25

\*Additional tags (in quantities of 25) can be added to a SiteWorx Area subscription, contact your Digital Lumens representative for details.

## Dimensions



Copyright © 2022 Digital Lumens, Incorporated. All rights reserved. Digital Lumens, the Digital Lumens logo, We Generate Facility Wellness, SiteWorx, LightRules, Lightelligence, Encelium, the Encelium logo, Polaris, GreenBus and any other trademark, service mark, or tradename (collectively "the Marks") are either trademarks or registered trademarks of Digital Lumens, Inc. in the United States and/or other countries, or remain the property of their respective owners that have granted Digital Lumens, Inc. the right and license to use such Marks and/or are used herein as nominative fair use. Due to continuous improvements and innovations, specifications may change without notice.