

# SWN-KPD

## Lighting Control Keypad

Date: \_\_\_\_\_

Quantity: \_\_\_\_\_

Company: \_\_\_\_\_

Project: \_\_\_\_\_

The SWN-KPD Lighting Control Keypad is a wireless, intelligent user-configurable keypad that allows for locally controlled lighting management.

The SWN-KPD keypad provides familiar push-button lighting control with direct communication to the SiteWorx Tune lighting control software.



### Key Features & Benefits

- Line powered with wireless communication for easy installation into any standard electrical box
- 4 programmable buttons that can enable or disable highly-customizable lighting scenes
- Includes vacancy, bi-level dimming, manual On/Off, automatic full off, and scene controls when used with SiteWorx Tune
- Enables compliance with local codes such as CA Title 24, Part 6
- Incorporates Lightelligence®, the Digital Lumens core technology that ensures openness, connectivity, and scalability

Digital Lumens' suite of SiteWorx® applications and an array of smart devices can meter your utilities, monitor your entire facility, and observe critical areas. SiteWorx starts delivering meaningful data and actionable insights right out of the box. Now you can make data-informed decisions, spot hidden problems, and take immediate action. All while keeping your people safe and productive and your operation efficient and sustainable.

SiteWorx Tune is an intelligent lighting control application that uses smart sensors and advanced cloud-based software to maximize energy savings, improve productivity, and maintain safe, comfortable light levels. It brings new control and savings to your lighting infrastructure. With SiteWorx Tune, you can stay informed via the Savings dashboard, which displays real-time energy usage and savings data.

Digital Lumens products are designed and manufactured to satisfy the highest quality standards of customers worldwide. Our products deliver performance, reliability, and long life and are supported by a global network of partners and product specialists.

## Specifications

### SENSING AND CONTROL

#### Wireless Networking

- IEEE 802.15.4 compliant
- 2.4 GHz Band

#### Connected IoT Platform

- SiteWorx Facility Insights Application Suite

#### Onboard Intelligence

- (4x) user-configurable push-buttons

### ELECTRICAL

#### Input Voltage

- 120 to 277 VAC, 50/60 Hz 40 mA

#### Power Consumption

- <0.5 W Standby

#### Power Wires

- 16 AWG flying leads

### ENVIRONMENTAL

#### Operating Temperature

- 0° to 50°C (32° to 122°F)

#### Operating Humidity

- 0% to 95%, non-condensing, for indoor use only

### PHYSICAL

#### Dimensions (H x W x D)

- Without Wall Plate  
45 x 112 x 47 mm (1.8 x 4.4 x 1.9 inches)
- With Wallplate  
70 x 117 x 47 mm (2.8 x 4.6 x 1.9 inches)

#### Weight

- 90 g (3.15 oz)

### WARRANTY

- 5-Year Limited

### CERTIFICATIONS & SAFETY

#### Approbations

- UL/cUL, UL-NOM, FCC Part 15 Class B, E148771, CSA, Title 24, ASHRAE 90.1-2016, IECC

#### Environmental Suitability

- IP30



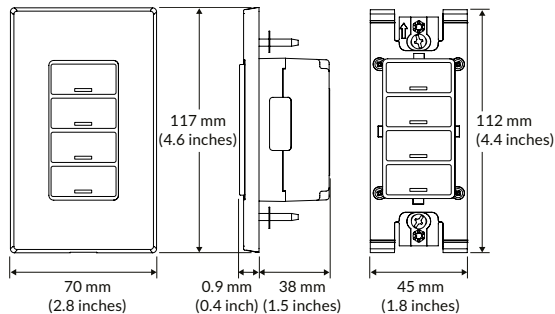
**lightelligence**  
enabled

## Ordering Information

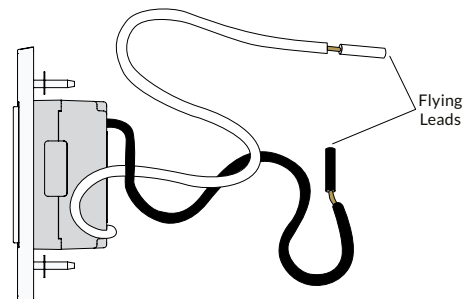
#### Part Number

SWN-KPD-ST

## Dimensions



## Power Connection Installation



Copyright © 2021 Digital Lumens, Incorporated. All rights reserved. Digital Lumens, the Digital Lumens logo, We Generate Facility Wellness, SiteWorx, LightRules, Lightelligence, Encelium, the Encelium logo, Polaris, GreenBus and any other trademark, service mark, or tradename (collectively "the Marks") are either trademarks or registered trademarks of Digital Lumens, Inc. in the United States and/or other countries, or remain the property of their respective owners that have granted Digital Lumens, Inc. the right and license to use such Marks and/or are used herein as nominative fair use. Due to continuous improvements and innovations, specifications may change without notice.

DOC-004016-00 Rev E 12-21