

SDN-PBC

Smart Push-Button Coupler

Date: _____

Quantity: _____

Company: _____

Project: _____

The SDN-PBC is a native wireless, intelligent, user-configurable push-button device which can be installed behind any standard available push-button switch.

The Wireless Push Button coupler provides familiar push-button control for up to four switches and provides them direct communication to the SiteWorx Facility Insights platform.



Key Features & Benefits

- For both new as existing installations using any standard available push buttons of preferred brand, shape, and color
- Line powered for easy installation using existing wiring
- Wireless communication for plug-and-play installation
- Includes vacancy, bi-level dimming, manual On/Off, automatic full off, and scene controls when used with SiteWorx Tune advanced lighting control application
- Incorporates Lightelligence®, the Digital Lumens core technology that ensures openness, connectivity, scalability, and security

Digital Lumens' suite of SiteWorx® applications and an array of smart devices can meter your utilities, monitor your entire facility, and observe critical areas. SiteWorx starts delivering meaningful data and actionable insights right out of the box. Now you can make data-informed decisions, spot hidden problems, and take immediate action. All while keeping your people safe and productive and your operation efficient and sustainable.

SiteWorx Tune is an intelligent lighting control application that uses smart sensors and advanced cloud-based software to maximize energy savings, improve productivity, and maintain safe, comfortable light levels. It brings new control and savings to your lighting infrastructure. With SiteWorx Tune, you can stay informed via the Savings dashboard, which displays real-time energy usage and savings data.

Digital Lumens products are designed and manufactured to satisfy the highest quality standards of customers worldwide. Our products deliver performance, reliability, and long life and are supported by a global network of partners and product specialists.

Specifications

SENSING AND CONTROL

Wireless Networking

- IEEE 802.15.4
- 2.4 GHz Band

Connected IoT Platform

- SiteWorx Facility Insights Application Suite

Onboard Intelligence

- (4x) user-configurable digital inputs (dry contact closure)

ELECTRICAL

Input Voltage

- 220 to 240 VAC

Power Consumption

- <0.5 W

Power and Control Wires

- Line and neutral terminal inputs
- 4X digital inputs (dry contact)

ENVIRONMENTAL

Operating Temperature

- -20° to 60°C (-4° to 140°F)

Operating Humidity

- 0% to 95% non-condensing

PHYSICAL

Enclosure

- ABS plastic

Dimensions (H x W x D)

- 48 x 49 x 22 mm (1.8 x 1.9 x 0.87 inches)

Weight

- 233 g (8.2 oz)

WARRANTY

- 5-Year Limited

CERTIFICATIONS & SAFETY

Approbations

- CE

Environmental Suitability

- IP20



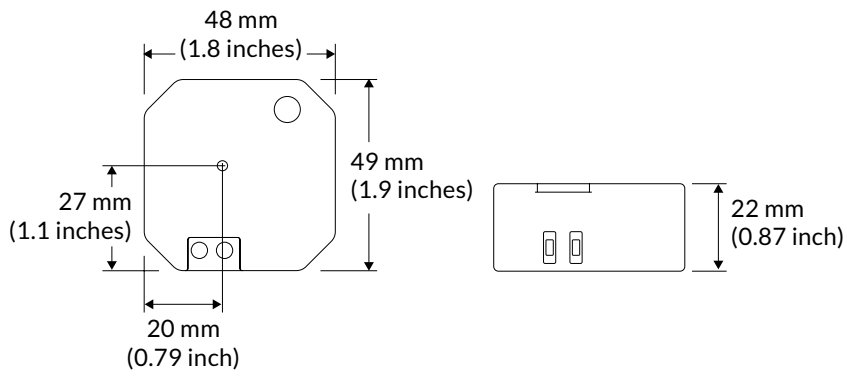
lightelligence
enabled

Ordering Information

Part Number

SDN-PBC-CE

Dimensions



Wiring Example

Existing Push Buttons

