

DLA-M-E

Micro Digital Light Agent

The Digital Lumens Digital Light Agents (DLAs) are multi-strategy adaptive lighting controls that make any light, from any manufacturer, intelligent. The DLA-M-E brings wireless sensing and control, and SiteWorx[®] compatibility, to third-party luminaires via an unobtrusive and easily mounted form factor.

Date: _____

Quantity: _____

Company: _____

Project: _____



Key Features & Benefits

- Maximum energy savings via integrated sensing and software optimization
- Performance validation with utility-grade energy metering
- Provides a real-time stream of actionable facility usage and environmental data

Maximize Energy Savings

With SiteWorx Tune, customize and apply industry-leading lighting control strategies — including daylight harvesting and off-hour setback — to achieve up to 90% energy savings. Accessible via web and mobile applications, intuitive software provides easy management of lighting system settings and comprehensive reporting tools to maximize energy savings, safety, and visual comfort.

Instrument for the IIoT

With Digital Lumens intelligent LED luminaires and Digital Light Agent (DLA) lighting controls, your facility is immediately instrumented with SiteWorx, an easily expandable Industrial IoT solution that enables rapid deployment of additional sensor-based applications that extend beyond lighting to deliver even greater operational insight and create new value streams.

Quality and Reliability

Digital Lumens products are designed and manufactured to satisfy the highest standards of customers worldwide and deliver performance, reliability, and long life.

As an OSRAM business, Digital Lumens solutions are supported by a global network of partners and product specialists.

Our Brand

 DIGITAL LUMENS

OSRAM

Specifications

SENSING AND CONTROL

Wireless Networking

- IEEE 802.15.4 Compatible
- 2.4 GHz Band

Onboard Intelligence

- Distributed Sensing and Control
- Facility usage data logging

Sensor Capabilities

- Integrated PIR occupancy sensor
- Integrated Daylight sensor
- SR/DEXAL driver-ready

Dimming Interface

- Dim range based on driver
- 0-10V dimming and switching when used with DLA-FA or DLA-CA adapters
- DALI compatible

Device Limit

- Up to (4x) DLA-FA or DLA-CA adapters, or (16x) DALI¹, SR², or DEXAL² drivers

ELECTRICAL

Input Voltage

- 12 – 24 VDC, DALI bus powered (SELV)

Power Consumption

- 0.3 W

Connections

- Yellow/White: DALI+
- Yellow: DALI-

ENVIRONMENTAL

Operating Temperature

- -22° – 122°F (-30° – 50°C)

Operating Humidity

- 0% – 95%, non-condensing

PHYSICAL

Enclosure

- PC/ABS Polymer

Dimensions (H x W x D)

- 0.93 x 1.31 inch (23.7 x 33.3 mm)

Weight

- 0.5 oz (14 g)

Mounting

- Snap-In surface-mount to 0.5 inch (Pg-7) trade size knockout (0.1 inch (2.5 mm) maximum panel thickness), or adhesive backing

Mounting Height

- Up to 20 ft (6 m)

WARRANTY

- 5-Year Limited Warranty

CERTIFICATIONS & SAFETY

Approbations

- UL/cUL, UL-NOM, CE, FCC Part 15 Class B, CISPR 22

Environmental Suitability

- IP50



Ordering Information

Part Number

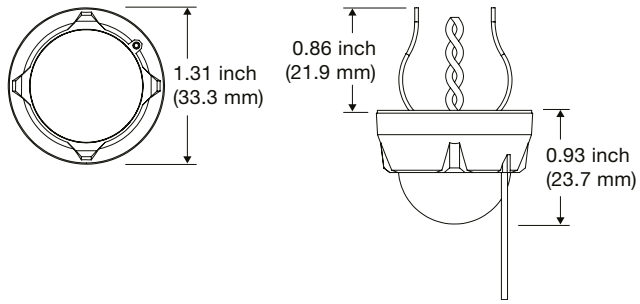
DLA-M-E

Footnotes:

¹ DALI drivers require a separate DALI power supply in order to power the DLA.

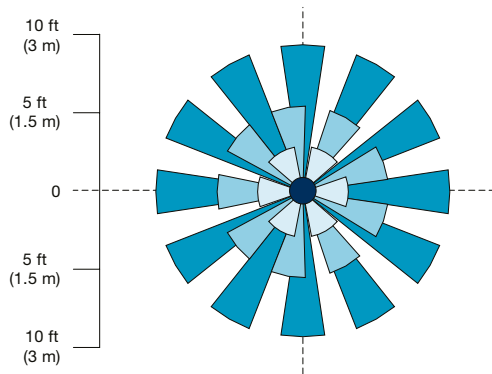
² With SR and DEXAL drivers, to prevent damaging the DLA, ensure that no more than (1x) driver has the power bus enabled.

Dimensions

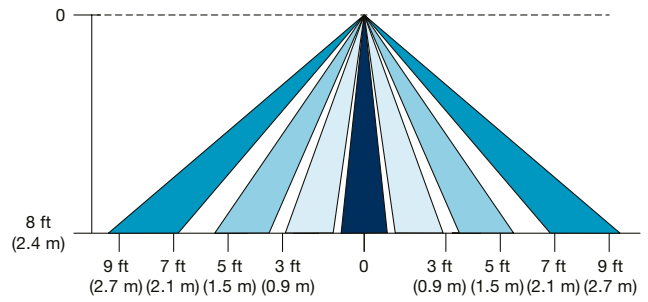


Sensor Coverage

Top View



Side View



Digital Lumens

374 Congress Street
Suite 600
Boston, MA 02210 USA
Phone +1 617 723 1200
www.digitallumens.com

OSRAM