

DLA-VS

Dimmable Digital Light Agent

The Digital Lumens DLA-VS brings wireless sensing and control to any 0-10V or DALI dimmable luminaire. Designed to be mounted to any flush surface, the DLA-VS is deployed with SiteWorx® Tune intelligent lighting control application to deliver advanced controls, powerful reporting, instant alerts, and actionable intelligence

Date: _____

Quantity: _____

Company: _____

Project: _____



Key Features & Benefits

- IP66 rated and designed for the most challenging environments
- NSF certified for food production zones
- Sensor performance up to 100 ft (30 m) with optional super high bay lens
- Maximum energy savings via integrated sensing and software optimization
- Performance validation with utility-grade energy metering
- Provides a real-time stream of actionable facility usage and environmental data

Maximize Energy Savings

With SiteWorx Tune, customize and apply industry-leading lighting control strategies — including daylight harvesting and off-hour setback — to achieve up to 90% energy savings. Accessible via web and mobile applications, intuitive software provides easy management of lighting system settings and comprehensive reporting tools to maximize energy savings, safety, and visual comfort.

Instrument for the IIoT

With Digital Lumens intelligent LED luminaires and Digital Light Agent (DLA) lighting controls, your facility is immediately instrumented with SiteWorx, an easily expandable Industrial IoT solution that enables rapid deployment of additional sensor-based applications that extend beyond lighting to deliver even greater operational insight and create new value streams.

Quality and Reliability

Digital Lumens products are designed and manufactured to satisfy the highest standards of customers worldwide and deliver performance, reliability, and long life.

As an OSRAM business, Digital Lumens solutions are supported by a global network of partners and product specialists.

Our Brand

 DIGITAL LUMENS

OSRAM

Specifications

SENSING AND CONTROL

Wireless Networking

- IEEE 802.15.4 Compatible
- 2.4 GHz Band

Onboard Intelligence

- Distributed sensing and control
- Facility usage data-logging

Sensor Capabilities

- Occupancy sensing (PIR)
- Digital ambient light sensing
- Integrated power monitoring

Dimming Interface

- Dim range based on driver
- 0-10V dimming (sinking only) or DALI compatible (powered)

DALI Device Limit

- (3x) DALI drivers

0-10V Device Limit

- Refer to load rating

ELECTRICAL

Input Voltage

- DALI: 220 – 240 VAC
- 0-10V: 120 – 277 VAC

Load/Relay Rating

- DALI: 3.5A
- 0-10V:
 - 3.5 A @ 120 VAC
 - 1.5 A @ 277 VAC
 - 1.5 A @ 347 VAC
 - 0.67 A @ 480 VAC

Power Consumption

- DALI: 0.5 W
- 0-10V:
 - 0.5 W Standby
 - 1 W Active

Power Wires

- DALI:
 - Brown: Hot
 - Blue: Neutral
 - Red: Metered Line
- 0-10V:
 - Brown: Hot
 - Blue: Neutral
 - Red: Metered/Switched Line

Control Wires

- DALI:
 - Yellow/White: DALI+
 - Yellow: DALI-
- 0-10V:
 - Purple: 0-10V+
 - Gray: 0-10V-

Surge Rating

- DALI:
 - 1KV L-N
 - 2KV Common
- 0-10V:
 - 1KV L-N
 - 2KV Common

DALI Control Bus Power

- DALI: 60mA @ 14 VDC typical
- 0-10V: N/A

ENVIRONMENTAL

Operating Temperature

- -4° – 122°F (-20° – 50°C)

Operating Humidity

- 0% – 95% non-condensing

PHYSICAL

Enclosure

- Sabcic - Valox™

Dimensions (H x W x D)

- With Tabs
4.88 x 3.87 x 3.55 inch (124 x 98 x 124 mm)
- Without Tabs
3.83 x 3.87 x 3.55 inch (97 x 98 x 124 mm)

Weight

- 10.2 oz (289 g)

Mounting

- Surface/Flush mounted

Mounting Height

- Up to 50 ft (15 m) – Standard
- Up to 100 ft (30 m) – Optional super high bay lens

Mounting Hole Diameter

- 0.26 inch (65 mm)

Mounting Hole Spacing

- (2x) centerline; 4.25 inch (108 mm) apart

WARRANTY

- 5-Year Limited Warranty

CERTIFICATIONS & SAFETY

Approbations

- UL/cUL 60730-1, CE, CFR 47 FCC Part 15 Subpart B, CSA E60730-1, NSF

Environmental Suitability

- IP66, UL Wet Location, NSF/ANSI Standard 2 – Food Equipment



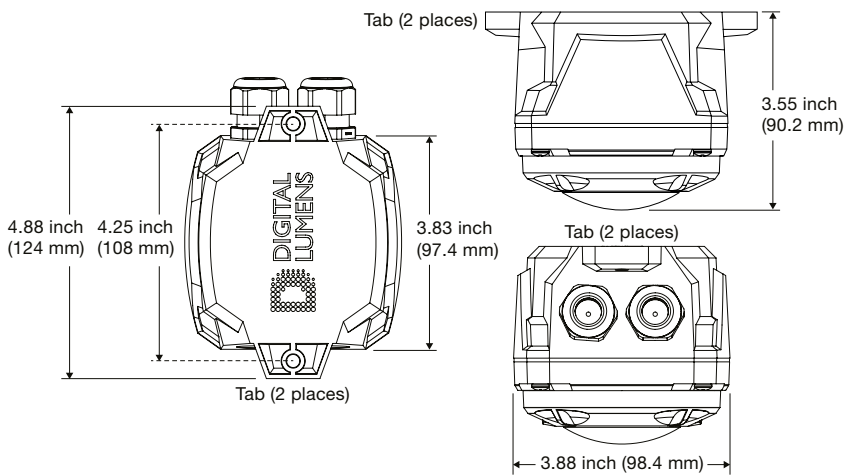
Ordering Information

Part Number	Description
DLA-VS-00-H	0-10V, High Bay
DLA-VS-01-H	DALI, High Bay

Accessory

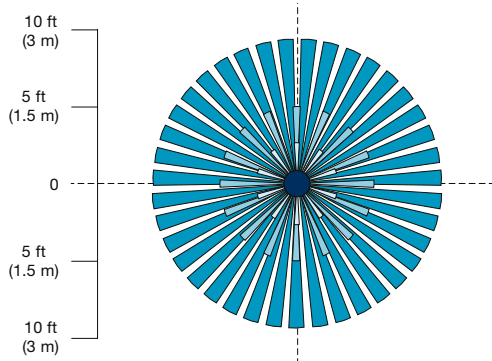
Part Number	Description
DLA-LENS-SHB-5	Digital Light Agent, Super High Bay Lens, CLE, DLE 5-Pack

Dimensions

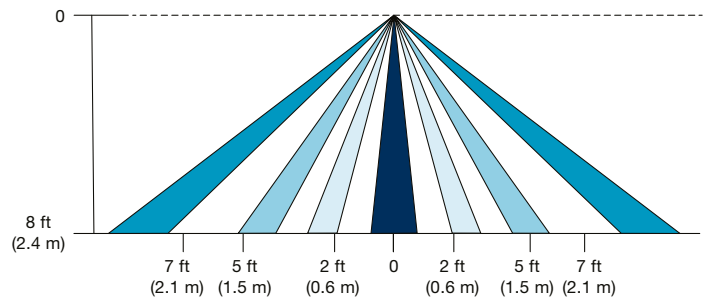


Sensor Coverage

Top View



Side View



Digital Lumens

374 Congress Street
Suite 600
Boston, MA 02210 USA
Phone +1 617 723 1200
www.digitallumens.com

OSRAM